

N 1/2 G CD

1901 Tap Range 1901 Basin Taps with Ceramic Disc Valves

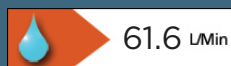


| Specification | |
|-----------------------------------|-------------------------|
| Style: | Traditional |
| Product Type: | Bathroom taps |
| Finish/Colour: | Vintage Gold |
| Main Construction Material: | Brass |
| Mount Type: | Deck |
| Handle Type: | Crosshead |
| Connection Inlet: | 1/2" BSP |
| Number of Tap Holes Required: | 2 |
| Valve/Cartridge Type: | 1/2" Ceramic Disc Valve |
| Plumbing System Suitability | All |
| Working Pressure Range: | Min 0.2 bar - Max 5 bar |
| Maximum Hot Water Temperature: °c | 65 |
| Maximum Dynamic Pressure: (bar) | 5 bar |
| Maximum Static Pressure: (bar) | 10 |
| Flow Type: | Single Flow |
| Flow Rate: (l/min @ 3 bar) | 61.6 |
| Connection Outlet: | Open |
| Isolation Included: | No |

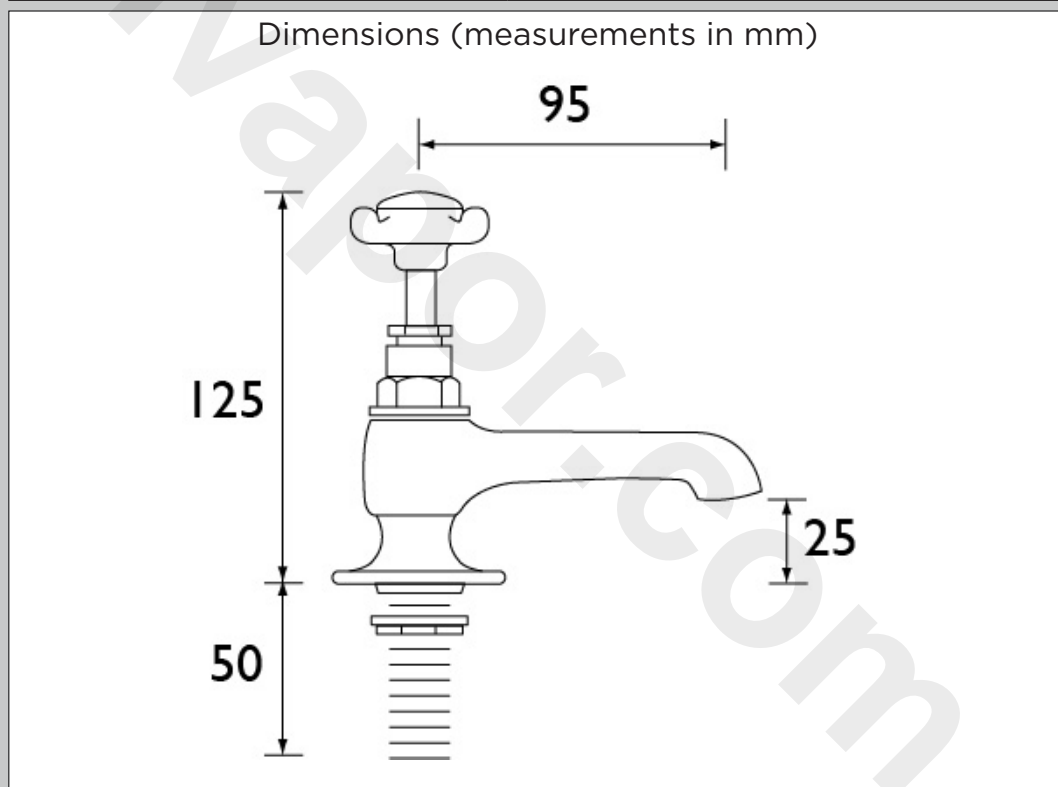
Features:

- Metal heads
- Ceramic Discs

Product Certifications:



For more products, visit our website:



| Flow Rates (l/min) | | | | | | |
|-----------------------|------|------|------|------|------|------|
| System Pressure (bar) | 0.2 | 0.5 | 1 | 2 | 3 | 5 |
| N 1/2 G CD | 15.9 | 25.2 | 35.6 | 50.3 | 61.6 | 79.6 |

TECHNICAL
DATA
SHEET



BRISTAN
TAPS & SHOWERS

D4